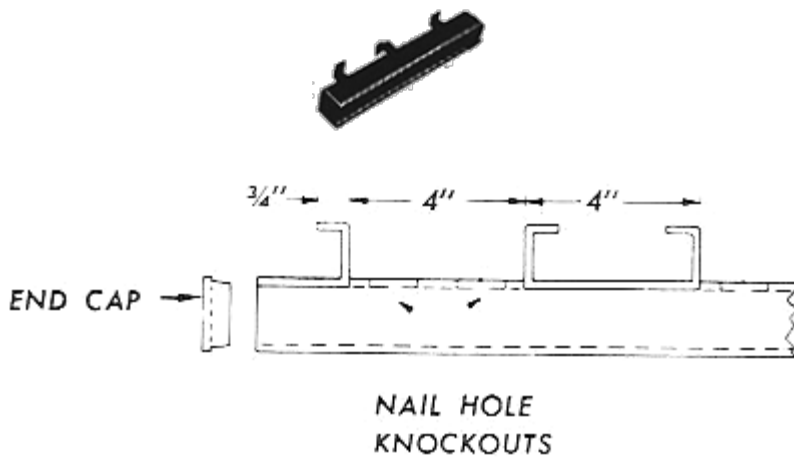


RAUCH

Phone: (718) 507-8844 Fax: (718) 565-6018
Email: info@irauch.com
Address: 32-20 112th St, East Elmhurst, NY 11369

Fig 375: Strip Insert



Service Application:

Recommended for installation in concrete slabs or sidewalls where an adjustment greater than is available in a single or spot insert is necessary or desirable. Particularly suitable over highly concentrated piping areas and for vertical installation in pipe tunnel walls. Inserts are shipped cut to length, with end caps installed, and with a waxed cardboard closure protecting the entire slot from concrete seepage. Available in any length up to 20'.

Finish:

Galvanized.

