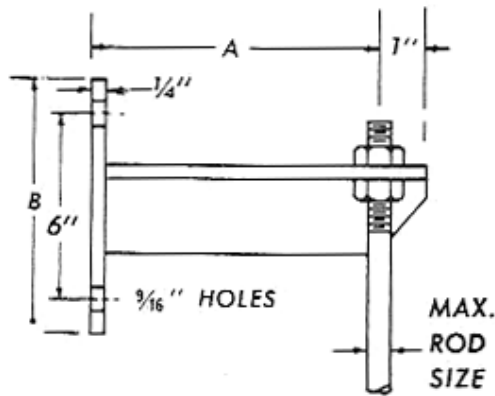
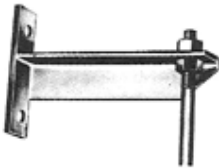


# RAUCH

Phone: (718) 507-8844 Fax: (718) 565-6018  
 Email: [info@irauch.com](mailto:info@irauch.com)  
 Address: 32-20 112th St, East Elmhurst, NY 11369

**Fig 83:** Cantilever Bracket



**Material:** steel  
**Service Application:** Designed for the suspension of light to medium loads.  
**Finish:** Galvanized or painted.  
**Ordering:** Specify size, figure number and finish.

-SIZE	A	B	MAX. ROD SIZE	ANGLE SIZE	WGT./C APPROX.	MAX. REC. LOAD, LB.
1	4	8	1/2	2 x 2 x 1/4	270	610
2	6	8	1/2	2 1/2 x 2 x 1/4	320	610
3	9	8	1/2	3 x 2 x 1/4	440	610