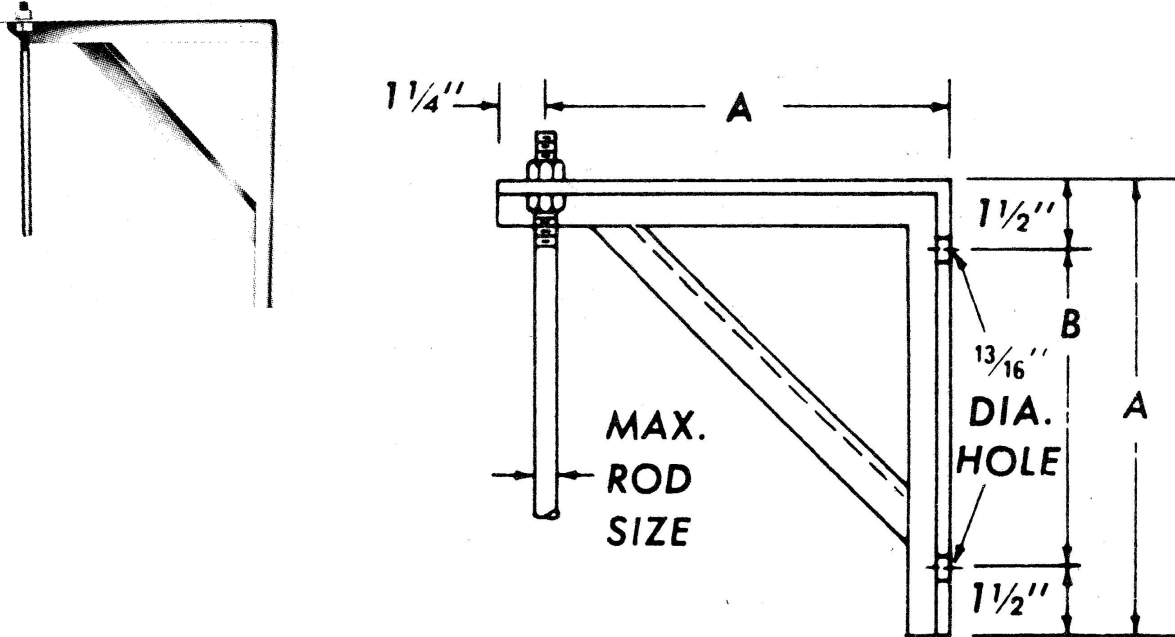


RAUCH

Phone: (718) 507-8844 Fax: (718) 565-6018
 Email: info@irauch.com
 Address: 32-20 112th St, East Elmhurst, NY 11369

FIGURE 50 ANGLE IRON BRACKET



BRACKET SIZE	A	B	MAX ROD SIZE	ANGLE SIZE	WT/C APROX.	MAX REC. LOAD, LB
1	10	7	5/8	2 x 2 x 1/4	670	1200
2	12	9	5/8	2 x 2 x 1/4	920	1200
3	14	11	3/4	2 1/2 x 2 1/2 x 1/4	1670	1200
4	18	15	1	3 x 3 x 1/4	2570	1200

PROJECT INFORMATION	APPROVED
JOB:	NOTES:
ADDRESS:	
CONTRACTOR:	
ENGINEER:	
DATE:	
APPROVED _____	NOT APPROVED _____ APPROVED AS NOTED _____