

# RAUCH

Phone: (718) 507-8844 Fax: (718) 565-6018  
 Email: [info@irauch.com](mailto:info@irauch.com)  
 Address: 32-20 112th St, East Elmhurst, NY 11369

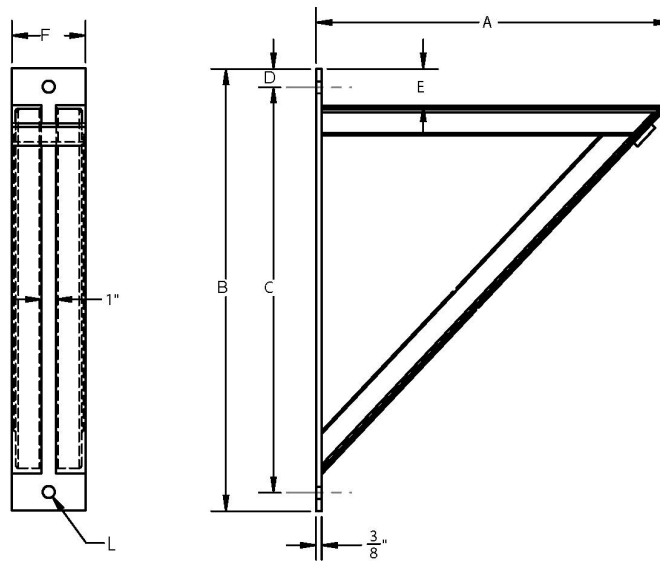


FIG 84

BRACKET SIZE	A	B	C	D	E	F	L	WT/C APROX
0	12	15 1/2	15 1/2	1 1/4	2 1/2	4	13/16	1738
1	18	21 1/2	21 1/2	1 1/4	2 1/2	4 1/2	13/16	2734
2	24	27 1/2	27 1/2	1 1/4	2 1/2	5	13/16	4766

Recommended for the support of loads up to 1500 lbs Constructed of facing angle iron with 1" space between. This bracket provides maximum lateral adjustment when carrying or suspending piping.

Available in Black, galvanized or painted



PROJECT INFORMATION	APPROVED
JOB:	NOTES:
ADDRESS:	
CONTRACTOR:	
ENGINEER:	
DATE:	
APPROVED _____ NOT APPROVED _____ APPROVED AS NOTED _____	