

RAUCH

Phone: (718) 507-8844 Fax: (718) 565-6018
 Email: info@irauch.com
 Address: 32-20 112th St, East Elmhurst, NY 11369

FIG 105 EQUIPMENT ANCHOR BOLTS

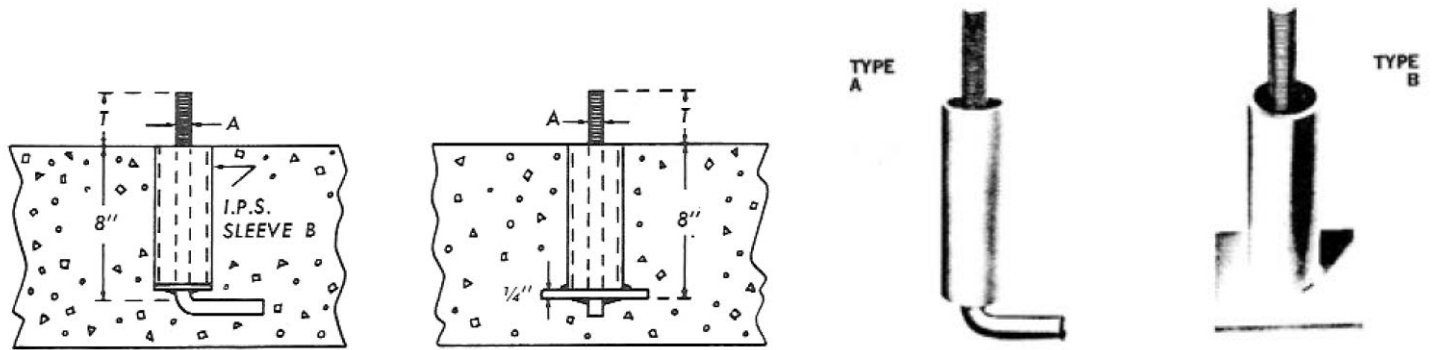


FIG 105 FURNISHED WITH 2 NUTS & 2 WASHERS

SIZE NO.	A	B	T
1	3/8	3/4	S P E C I F Y
2	1/2	1	
3	5/8	1 1/4	
4	3/4	1 1/2	
5	7/8	2	
6	1	2	

Recommended for the attachment of equipment to new concrete pads, bases or footings. Sleeve design permits final adjustment of anchor bolt in all directions.

Available in Black, galvanized or painted

PROJECT INFORMATION	APPROVED
JOB:	NOTES:
ADDRESS:	
CONTRACTOR:	
ENGINEER:	
DATE:	
APPROVED _____ NOT APPROVED _____ APPROVED AS NOTED _____	