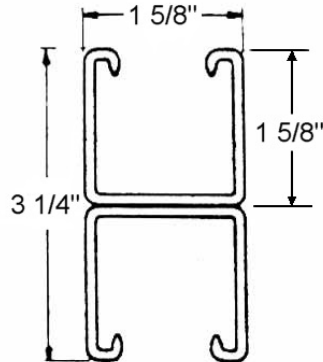


# RAUCH

Phone: (718) 507-8844 Fax: (718) 565-6018  
 Email: [info@irauch.com](mailto:info@irauch.com)  
 Address: 32-20 112th St, East Elmhurst, NY 11369

## 1 5/8 x 15/8 BB STRUT



1 5/8 x 1 5/8 12 gage Welded Back to Back 3.80 lb/ft

### BEAM LOADING DATA

Span or unbraced Column Height	Maximum Allowable Uniform Loading	Deflection at Uniform Loading	Uniform Loading at Deflection	
			Span/240	Span/360
inch	Lbs.	Inch	Lbs	Lbs
24	2610	0.02	2610	2610
36	2610	0.06	2610	2610
48	2400	0.13	2400	2401
60	1920	0.20	1920	1629
72	1601	0.28	1601	1129
84	1370	0.39	1242	829
96	1200	0.50	949	641
108	1070	0.64	752	501
120	960	0.79	611	412

### BEAM LOADING DATA

Maximum Allowable Loading at Slot Face	Maximum Allowable Column Load Applied at Center of Gravity			
	K=.65	K=.80	K=1.0	K=1.2
Lbs	Lbs	Lbs	Lbs	
K=.80	21400	21176	20871	20411
6360	20960	2412	19652	18672
6190	21231	19366	17966	16255
5970	19244	17941	15781	13141
5340	18129	16251	13141	9525
3968	16810	14256	10080	6998
3026	15293	11952	7752	5382
2359	13566	9569	6110	4251
1865	11643	7735	4952	---
1513				

Maximum allowable uniformly distributed loads are listed for simple spans consisting of a beam on two supports.

If load is to be concentrated at center of span, multiply load by 0.5 and corresponding deflection by 0.8

PROJECT INFORMATION	APPROVED
JOB:	NOTES:
ADDRESS:	
CONTRACTOR:	
ENGINEER:	
DATE:	
APPROVED _____	NOT APPROVED _____ APPROVED AS NOTED _____