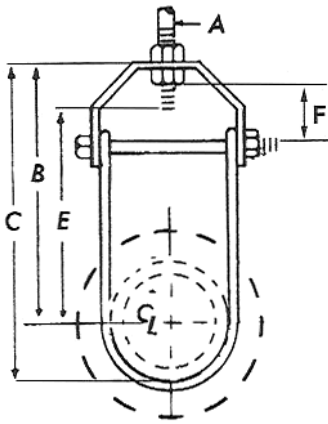


Fig 100EL: Elongated Clevis Hanger



Material: Steel
Service Application: Where contractor is permitted to cover both pipe and hanger, the additional depth of bottom yoke will eliminate any interference between insulation and cross bolt.
Finish: Black, galvanized or painted.
Ordering: Specify size, figure number and finish.



PIPE SIZE	PIPE OD	BOLT	A	B	C	E	F	WGT EACH (LBS)	MAX REC LOAD (LBS)
1/2	0.840	1/4	3/8	3-13/16	4-1/4	3	7/16	.30	730
3/4	1.050	1/4	3/8	3-3/4	4-3/16	2-15/16	7/16	.33	730
1	1.315	1/4	3/8	4-1/8	4-3/4	3-5/16	5/8	.34	730
1-1/4	1.660	1/4	3/8	4-7/16	5-1/4	3-5/8	7/8	.39	730
1-1/2	1.900	1/4	3/8	4-3/4	5-3/4	3-15/16	1-1/16	.47	730
2	2.375	1/4	3/8	7-1/4	8-7/16	6-7/16	1-1/4	.65	730
2-1/2	2.875	5/16	1/2	8-13/16	10-3/16	7-3/4	1-15/16	1.24	1130
3	3.500	5/16	1/2	9	10-3/4	7-15/16	1-3/4	1.34	1130
4	4.500	3/8	5/8	10-1/8	12-3/8	8-13/16	2-1/8	1.92	1430
5	5.563	1/2	5/8	9-7/8	12-9/16	8-7/16	1-7/16	2.58	1430
6	6.625	1/2	3/4	10-7/8	14-1/8	9-1/4	1-3/4	3.36	1940
8	8.625	5/8	3/4	12-1/4	16-9/16	10-7/16	1-7/8	5.08	2000
10	10.750	3/4	7/8	14-1/2	19-7/8	12-1/2	2-1/4	9.08	3600
12	12.750	3/4	7/8	15-7/8	22-1/4	13-7/8	2-13/16	11.54	3800
14	14.000	7/8	1	16-7/8	22-13/16	14-7/8	2-9/16	14.80	4200

PROJECT INFORMATION	APPROVED
JOB:	NOTES:
ADDRESS:	
CONTRACTOR:	
ENGINEER:	
DATE:	
APPROVED _____ NOT APPROVED _____ APPROVED AS NOTED _____	