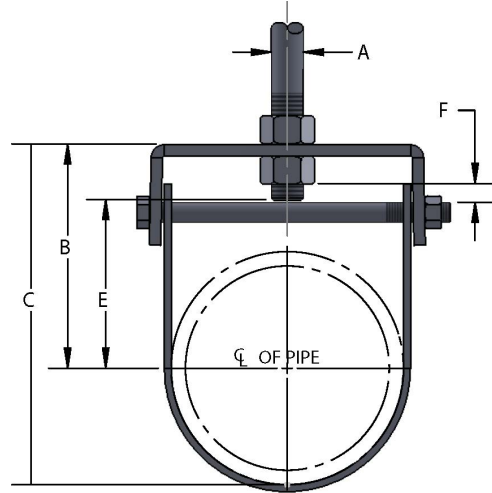
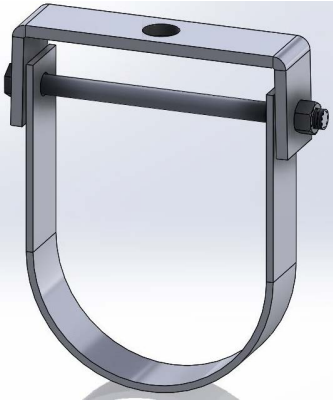


# RAUCH

Phone: (718) 507-8844 Fax: (718) 565-6018  
 Email: [info@irauch.com](mailto:info@irauch.com)  
 Address: 32-20 112th St, East Elmhurst, NY 11369

FIGURE 100F FLAT TOP CLEVIS



PIPE SIZE	PIPE OD	BOLT	A	B	C	E	F	WGT EACH (LBS)	MAX REC LOAD (LBS)
1-1/2	1.900	1/4	3/8	2-1/8	3-1/8	1-5/16	5/16	0.42	250
2	2.375	1/4	3/8	2-1/2	3-11/16	11-1/16	7/16	0.46	300
2-1/2	2.875	5/16	1/2	2-7/8	4-3/16	11-3/16	7/16	0.78	500
3	3.500	5/16	1/2	3-5/8	5-3/8	2-9/16	1-1/16	0.98	500
3-1/2	4.000	5/16	1/2	4-1/16	6-1/16	2-15/16	3/4	1.36	500
4	4.500	3/8	5/8	4-1/16	6-5/16	2-11/16	3/16	1.38	700
5	5.563	1/2	5/8	4-7/8	7-5/8	3-1/2	5/8	2.08	700
6	6.625	1/2	3/4	5-1/2	8-7/8	3-7/8	7/16	2.82	900
8	8.625	5/8	3/4	6-3/8	10-7/8	4-5/8	5/16	4.34	1000
10	10.75	7/8	7/8	8-5/8	14	6-7/8	1-1/2	8.06	1800
12	12.50	7/8	1	15-3/4	22-3/4	13	2-9/16	18.05	1800

PROJECT INFORMATION	APPROVED
JOB:	NOTES:
ADDRESS:	
CONTRACTOR:	
ENGINEER:	
DATE:	
APPROVED _____	NOT APPROVED _____ APPROVED AS NOTED _____