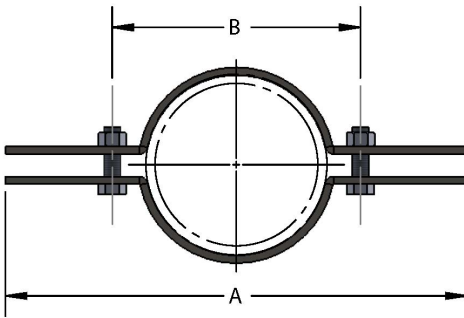


Fig 126: Riser Clamp - Equal Arms



Material: Steel
Service Application: Support of steel or cast iron pipe risers.
Finish: Black, galvanized or painted.
Ordering: Specify size, figure number and finish.



PIPE SIZE (IPS)	PIPE OD	BOLT	A	B	WGT EACH (LBS)	MAX REC LOAD (LBS)
1/2	0.840	3/8	8-5/8	2-1/8	0.88	255
3/4	1.050	3/8	8-13/16	2-5/16	0.92	255
1	1.315	3/8	9-1/16	2-5/8	0.94	255
1-1/4	1.660	3/8	9-7/16	2-15/16	1.00	255
1-1/2	1.900	3/8	10	3-7/16	1.04	255
2	2.375	3/8	10-9/16	4	1.14	300
2-1/2	2.875	3/8	11-1/8	4-9/16	1.60	400
3	3.500	3/8	11-13/16	5-1/4	1.70	530
3-1/2	4.000	1/2	12-3/4	5-3/4	2.06	670
4	4.500	1/2	13-5/8	6-5/8	2.20	810
5	5.563	1/2	14-1/8	7-5/8	3.40	1500
6	6.625	1/2	15-3/8	8-7/8	3.72	1600
8	8.625	5/8	18-5/8	12	7.22	2500
10	10.750	5/8	21-1/4	14-3/4	10.94	2500
12	12.750	5/8	22-3/4	16-3/4	16.10	2700
14	14.000	5/8	24	17-7/8	17.00	2700
16	16.000	3/4	26	21	29.16	2900
18	18.000	3/4	28	23-1/8	31.91	2900
20	20.000	3/4	30	25	35.00	2900
24	24.000	7/8	36	29-1/4	42.00	2900
30	30.000	7/8	42	35-1/4	60.00	3200

PROJECT INFORMATION	APPROVED
JOB:	NOTES:
ADDRESS:	
CONTRACTOR:	
ENGINEER:	
DATE:	
APPROVED _____	NOT APPROVED _____ APPROVED AS NOTED _____