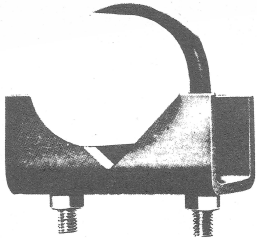


# RAUCH

Phone: (718) 507-8844 Fax: (718) 565-6018  
 Email: [info@irauch.com](mailto:info@irauch.com)  
 Address: 32-20 112th St, East Elmhurst, NY 11369

## Fig 127A: Anchor Chair



**Service Application:**

For use on welded steel brackets or structural member.

**Finish:**

Black, galvanized or painted.

**Ordering:**

Specify size, figure number and finish.

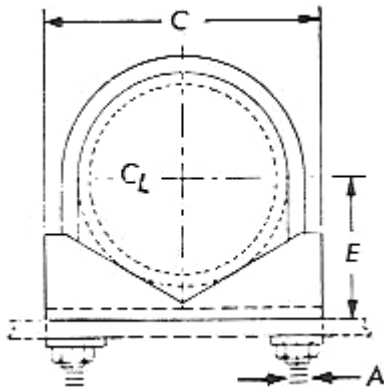


FIG 127A

PIPE SIZE	A	C	E	STOCK SIZE	WT/C APROX
1/2	3/8	2 1/8	1 1/4	3" CHANNEL 4.1#	65
3/4	3/8	2 3/8	1 5/16		72
1	3/8	2 5/8	1 7/16		101
1 1/4	3/8	2 7/8	1 1/2		113
1 1/2	1/2	3 1/4	1 9/16		127
2	1/2	3 5/8	1 3/4		142

PROJECT INFORMATION	APPROVED
JOB:	NOTES:
ADDRESS:	
CONTRACTOR:	
ENGINEER:	
DATE:	
APPROVED _____ NOT APPROVED _____ APPROVED AS NOTED _____	