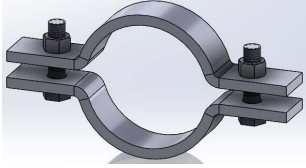
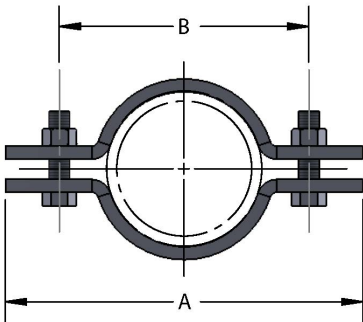


**Fig 129:** Short Arm Riser Clamp



**Material:** Steel  
**Service Application:** General piping.  
**Finish:** Black, galvanized or painted.  
**Ordering:** Specify size, figure number and finish.



PIPE SIZE	PIPE OD	BOLT	A	B	WGT EACH (LBS)	MAX REC LOAD (LBS)
3/4	1.050	5/16	4-5/16	2-5/16	0.45	255
1	1.315	5/16	4-11/16	2-11/16	0.50	255
1-1/4	1.660	5/16	5-3/16	3-3/16	0.55	255
1-1/2	1.900	5/16	5-1/2	3-1/2	0.60	255
2	2.375	5/16	6	4	0.65	255
2-1/2	2.875	3/8	6-5/8	4-5/8	1.05	255
3	3.500	3/8	7-5/16	5-5/16	1.15	530
4	4.500	1/2	8-9/16	6-9/16	1.55	810
5	5.563	1/2	9-3/4	7-3/4	2.50	1500
6	6.625	1/2	10-7/8	8-7/8	2.85	1600

PROJECT INFORMATION	APPROVED
JOB:	NOTES:
ADDRESS:	
CONTRACTOR:	
ENGINEER:	
DATE:	
APPROVED _____ NOT APPROVED _____ APPROVED AS NOTED _____	