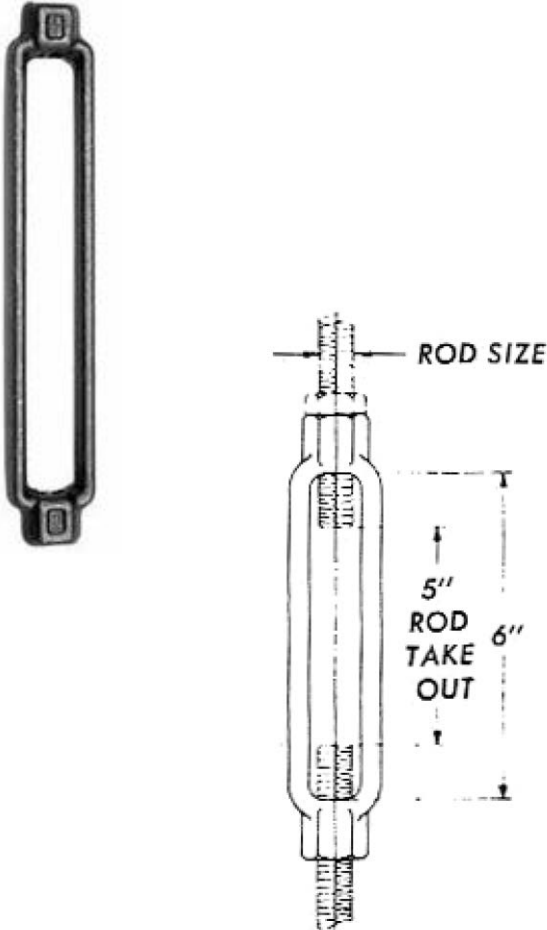


# RAUCH

Phone: (718) 507-8844 Fax: (718) 565-6018  
 Email: [info@irauch.com](mailto:info@irauch.com)  
 Address: 32-20 112th St, East Elmhurst, NY 11369

FIGURE 132 TURNBUCKLE



Available in Black, galvanized or painted

FIG 132

ROD SIZE	WT/C APROX	MAX REC'M LOAD, LB.
3/8	33	610
1/2	60	1130
5/8	80	1810
3/4	103	2710
7/8	133	3770
1	175	4960
1 1/8	235	6230
1 1/4	330	8000
1 1/2	600	11630
1 3/4	1100	15700
2	1490	20700
2 1/4	1800	27200
2 1/2	2693	33500

Minimum safety factor of 5 or the allowable stresses as shown in the ASA Code for Pressure piping

PROJECT INFORMATION	APPROVED
JOB:	NOTES:
ADDRESS:	
CONTRACTOR:	
ENGINEER:	
DATE:	
APPROVED _____ NOT APPROVED _____ APPROVED AS NOTED _____	