

RAUCH

Phone: (718) 507-8844 Fax: (718) 565-6018
 Email: info@irauch.com
 Address: 32-20 112th St, East Elmhurst, NY 11369

Fig 136: Pipe Saddle Support



Material: Steel
Service Application: For general piping running close to floor.
Finish: Black, galvanized or painted.
Ordering: Specify size, figure number and finish.

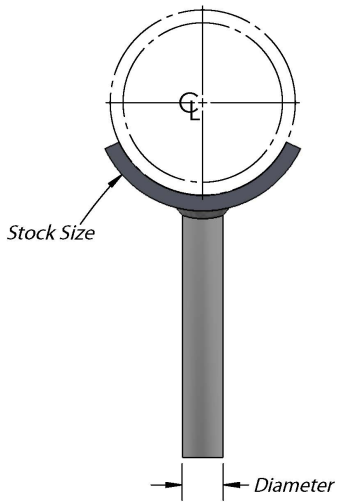


FIG 136

PIPE SIZE	STEEL SIZE	DIAMETER & STEM LENGTH	WT/C APROX
2	3/8 x 1 1/2	7/8 x 6	157
3	3/8 x 1 1/2	7/8 x 6	185
4	3/8 x 2	1 x 6	270
5	3/8 x 2	1 x 6	314
6	1/2 x 2	1 1/4 x 6	490
8	1/2 x 2	1 1/4 x 6	575
10	1/2 x 3	1 1/2 x 6	988
12	1/2 x 3	1 1/2 x 6	1140

PROJECT INFORMATION	APPROVED
JOB:	NOTES:
ADDRESS:	
CONTRACTOR:	
ENGINEER:	
DATE:	
APPROVED _____ NOT APPROVED _____ APPROVED AS NOTED _____	