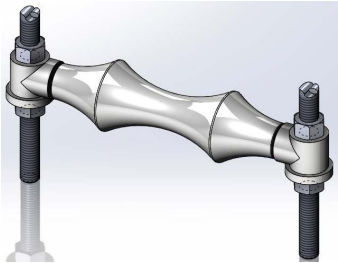
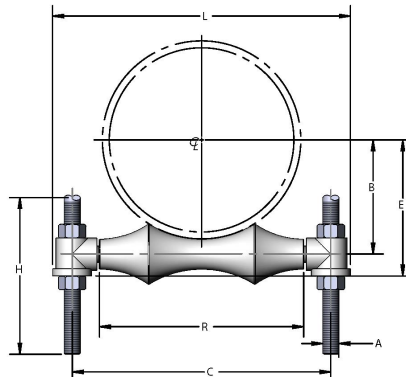


**Fig 142: Two-Rod Roller Hanger**



**Material:** Cast iron socket and roller; carbon steel cross rod  
**Service Application:** For suspension of pipe where longitudinal movement due to expansion and contraction may occur.  
**Finish:** Black; electro-galvanized or painted to order.  
**Ordering:** Specify pipe size, figure number and finish.



PIPE ROLLER SIZE	PIPE OD	AXLE SIZE	A	B	C	E	H	L	R	WGT EACH (lbs)	MAX REC LOAD (lbs)
2	2.375	3/8	3/8	1-9/16	4-3/8	2-3/16	12	5-5/8	2-7/8	1.450	600
2-1/2	2.875	1/2	1/2	1-7/8	5-1/8	2-5/8	12	6-1/2	3-1/8	2.535	600
3	3.500	1/2	1/2	2-1/8	5-5/8	2-7/8	12	7	3-3/4	2.735	700
3-1/2	4.000	1/2	1/2	2-1/2	5-7/8	3-1/4	12	7-1/4	3-7/8	2.850	750
4	4.500	1/2	5/8	2-13/16	6-7/8	3-13/16	12	8-9/16	4-3/4	4.320	750
5	5.563	5/8	5/8	3-3/8	8-1/16	4-3/8	12	9-3/4	5-3/4	4.780	750
6	6.625	3/4	3/4	3-15/16	9-9/16	4-15/16	12	11-5/8	6-7/8	7.705	1070
7	7.625	3/4	3/4	4-1/2	10-3/4	5-1/4	12	12-1/2	8	8.410	1070
8	8.625	7/8	7/8	5-1/8	11-15/16	6-3/8	12	14-1/4	8-7/8	12.205	1350
10	10.750	7/8	7/8	6-1/4	14-1/16	7-1/2	12	16-1/4	11	13.950	1730
12	12.750	7/8	7/8	7-5/16	15-13/16	8-9/16	12	18	13	17.930	2400
14	14.000	1-1/8	1	8-3/8	17-3/4	9-13/16	18	20-1/2	14-1/4	27.545	3130
16	16.000	1-1/4	1	9-1/2	20-9/16	10-15/16	18	23-3/8	16-7/8	33.340	3970
18	18.000	1-1/4	1	10-7/16	21-3/4	11-7/8	18	24-7/8	18-5/16	36.000	4200
20	20.000	1-1/4	1-1/4	11-1/2	24-1/4	13-3/8	18	27	20-1/4	46.600	4550
24	24.000	1-1/2	1-1/2	13-13/16	28-7/8	16-1/6	24	32	24-1/4	81.220	6160
30	30.000	1-3/4	1-1/2	17-1/4	35-1/2	19-5/8	24	39-3/4	30-1/4	109.220	7290

PROJECT INFORMATION	APPROVED
JOB:	NOTES:
ADDRESS:	
CONTRACTOR:	
ENGINEER:	
DATE:	
APPROVED _____	NOT APPROVED _____ APPROVED AS NOTED _____