

# RAUCH

Phone: (718) 507-8844 Fax: (718) 565-6018  
 Email: info@irauch.com  
 Address: 32-20 112th St, East Elmhurst, NY 11369

**Fig 157: Underground Pipe Hanger**



**Material:** Steel  
**Service Application:** To support underground drainage lines. Clamps tight on cast iron pipe and maintains anchor bolt in plumb position during back fill. Order anchor bolts separately.  
**Finish:** Galvanized.  
**Ordering:** Specify size and figure number.

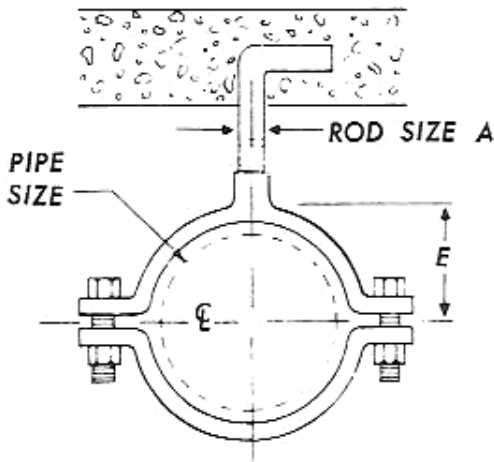


FIG 157

PIPE SIZE	A	E	WT/C APROX	MAX REC'M LOAD LB.
3	3/4	2 1/8	370	1250
4	3/4	2 5/8	390	1250
5	3/4	3 1/4	400	1250
6	3/4	3 1/4	440	1250
8	3/4	5	800	1600
10	3/4	6	940	1600
12	3/4	7 1/8	1360	2400

PROJECT INFORMATION	APPROVED
JOB:	NOTES:
ADDRESS:	
CONTRACTOR:	
ENGINEER:	
DATE:	
APPROVED _____ NOT APPROVED _____ APPROVED AS NOTED _____	