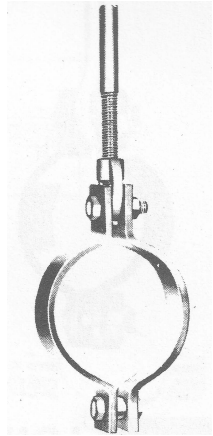
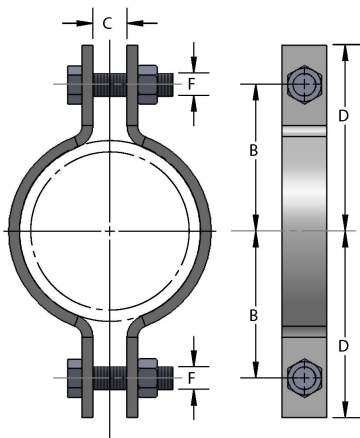


Fig 175: Standard Steel Pipe Clamp



Material: Steel
Service Application: General piping.
Finish: Black, galvanized or painted.
Ordering: Specify size, figure number and finish.



PIPE SIZE	PIPE OD	BOLT F	B	C	D	WGT EACH (lbs)	MAX REC LOAD (lbs)
1/2	0.840	5/16	1-1/8	7/16	1-11/16	0.27	500
3/4	1.050	5/16	1-1/4	7/16	1-13/16	0.30	500
1	1.315	5/16	1-7/16	7/16	2	0.33	500
1-1/4	1.660	5/16	1-9/16	7/16	2-1/8	0.36	500
1-1/2	1.900	5/16	1-3/4	1/2	2-1/4	0.37	800
2	2.375	1/2	2-3/8	1/2	2-15/16	1.04	1040
2-1/2	2.875	1/2	2-11/16	3/4	3-1/4	1.19	1040
3	3.500	1/2	2-15/16	3/4	3-1/2	1.27	1040
3-1/2	4.000	1/2	3-1/4	3/4	3-13/16	1.43	1040
4	4.500	5/8	3-3/8	3/4	4-1/16	1.94	1040
5	5.563	5/8	4-1/16	7/8	4-3/4	2.20	1040
6	6.625	3/4	4-15/16	1	5-3/4	5.42	1615
8	8.625	3/4	6	1-1/8	6-7/8	6.51	1615
10	10.750	7/8	7-13/16	1	8-15/16	13.60	2490
12	12.750	7/8	8-7/8	1	10	16.05	2490
14	14.000	7/8	9-1/4	1-1/8	10-5/8	20.00	2490
16	16.000	7/8	10-1/4	1-1/8	11-5/8	22.00	2490
18	18.000	1	11-5/8	1-1/4	13	32.00	3060
20	20.000	1-1/8	12-3/4	1-3/8	14-1/8	36.00	3060
24	24.000	1-1/4	15-1/4	1-5/8	16-7/8	50.00	3060

PROJECT INFORMATION	APPROVED
JOB:	NOTES:
ADDRESS:	
CONTRACTOR:	
ENGINEER:	
DATE:	
APPROVED _____	NOT APPROVED _____ APPROVED AS NOTED _____