

RAUCH

Phone: (718) 507-8844 Fax: (718) 565-6018
 Email: info@irauch.com
 Address: 32-20 112th St, East Elmhurst, NY 11369

FIGURE 192 BEAM CLAMP

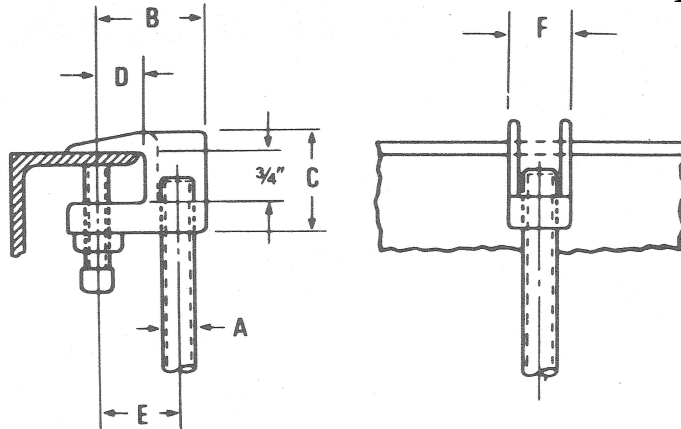


FIG 192

ROD SIZE "A"	PIPE SIZE	MAXIMUM REC'M LOAD LB.	WT/C APROX
3/8	1/2 TO 2	350	30
1/2	2 1/2 TO 3 1/2	470	39
5/8	4 TO 5	550	40
3/4	6	700	67
7/8	8	1000	66

FIG 192 Dimensions (inches)

ROD SIZE "A"	B	C	D	E	F
3/8	1 1/2	1 7/16	3/4	1 3/16	3/4
1/2	1 5/8	1 1/2	3/4	1 1/4	7/8
5/8	1 3/4	1 1/2	3/4	1 3/32	1
3/4	2 1/4	1 3/4	1 1/16	1 5/16	1 1/4
7/8	2 1/4	1 3/4	1 1/16	1 5/16	1 1/4

PROJECT INFORMATION	APPROVED
JOB:	NOTES:
ADDRESS:	
CONTRACTOR:	
ENGINEER:	
DATE:	
APPROVED _____	NOT APPROVED _____ APPROVED AS NOTED _____