

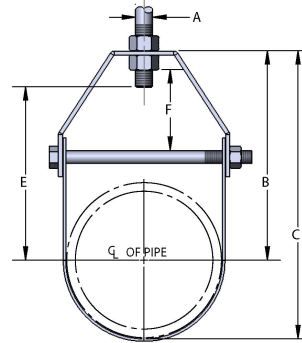
RAUCH

Phone: (718) 507-8844 Fax: (718) 565-6018
 Email: info@irauch.com
 Address: 32-20 112th St, East Elmhurst, NY 11369

Fig 200: L.D. Clevis Hanger



Material: Steel
Service Application: General piping.
Finish: Black, galvanized or painted.
Ordering: Specify size, figure number and finish.



PIPE SIZE	PIPE OD	BOLT	A	B	C	E	F	WGT EACH (LBS)	MAX REC LOAD (LBS)
3/8	0.625	1/4	3/8	1-7/8	2-3/16	1-1/8	1/2	0.12	150
1/2	0.840	1/4	3/8	1-3/4	2-1/8	1	1/2	0.12	150
3/4	1.050	1/4	3/8	1-13/16	2-5/16	1-1/16	1/2	0.12	250
1	1.315	1/4	3/8	2-1/8	2-3/4	1-5/16	3/4	0.12	250
1-1/4	1.660	1/4	3/8	2-1/2	3-1/4	1-3/4	1-5/16	0.18	250
1-1/2	1.900	1/4	3/8	2-13/16	3-13/16	2-1/16	1-1/8	0.24	250
2	2.375	1/4	3/8	3-5/16	4-1/2	2-9/16	1-1/4	0.26	250
2-1/2	2.875	1/4	1/2	4-1/2	5-15/16	3-7/16	2-1/16	0.58	350
3	3.500	5/16	1/2	4-13/16	6-9/16	3-3/4	1-7/8	0.66	350
3-1/2	4.000	5/16	1/2	5-15/16	7-7/8	4-7/8	2-5/8	0.82	350
4	4.500	3/8	1/2	6-1/16	8-5/16	5	2-3/8	0.94	400

PROJECT INFORMATION	APPROVED
JOB:	NOTES:
ADDRESS:	
CONTRACTOR:	
ENGINEER:	
DATE:	
APPROVED _____ NOT APPROVED _____ APPROVED AS NOTED _____	