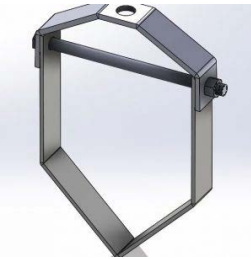
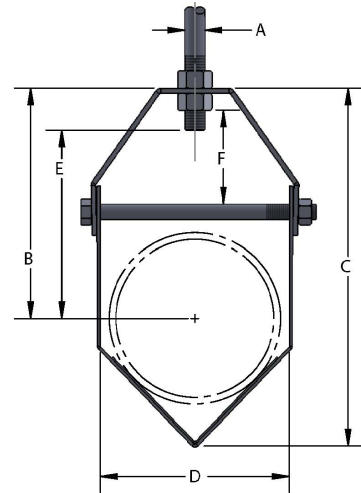


Fig 200VT: V-Trough Clevis Hanger



Material: Steel
Service Application: Designed for the support of plastic pipe. Fig 200VT Hanger is intended for use with our Fig 201 V-Trough. Hangers should be placed as close to Trough joints as is possible.
Finish: Black, galvanized or painted.
Ordering: Specify hanger size, figure number and finish. Order Fig 201 V-Trough separately, as required.



PIPE SIZE	SIZE NO.	MATERIAL SIZE		BOLT	A	B	C	D	E	F	WGT EACH (LBS)	MAX REC LOAD (LBS)
		TOP	BOTTOM									
1/2	1	14ga x 7/8	16ga x 7/8	1/4	3/8	5-3/16	5-7/8	2-9/16	47-1/16	1-1/4	.30	250
3/4	1	14ga x 7/8	16ga x 7/8	1/4	3/8	5	5-7/8	2-9/16	4-1/4	1-1/4	.30	250
1	1	14ga x 7/8	16ga x 7/8	1/4	3/8	4-7/8	5-7/8	2-9/16	4-1/16	1-1/4	.30	250
1-1/4	1	14ga x 7/8	16ga x 7/8	1/4	3/8	4-5/8	5-7/8	2-9/16	3-7/8	1-1/4	.30	250
1-1/2	1	14ga x 7/8	16ga x 7/8	1/4	3/8	4-7/16	5-7/8	2-9/16	3-11/16	1-1/4	.30	250
2	1	14ga x 7/8	16ga x 7/8	1/4	3/8	4-1/8	5-7/8	2-9/16	3-3/8	1-1/4	.30	250
2-1/2	2	11ga x 1-3/16	14ga x 1-3/16	3/8	1/2	6-13/16	8-15/16	4-11/16	5-3/4	2-3/8	.96	300
3	2	11ga x 1-3/16	14ga x 1-3/16	3/8	1/2	6-3/8	8-15/16	4-11/16	5-5/16	2-3/8	.96	300
4	2	11ga x 1-3/16	14ga x 1-3/16	3/8	1/2	5-11/16	8-15/16	4-11/16	4-1/2	2-3/8	.96	300
5	3	3ga x 1-1/2	8ga x 1-1/2	1/2	3/4	7-3/4	11-3/4	6-7/8	6-1/2	1-3/4	3.05	350
6	3	3ga x 1-1/2	8ga x 1-1/2	1/2	3/4	6-13/16	11-3/4	6-7/8	5-3/16	1-3/4	3.05	350
7	4	3ga x 1-3/4	8ga x 1-3/4	5/8	3/4	8-13/16	14-1/2	9-1/4	7-9/16	1-7/8	4.65	400
8	4	3ga x 1-3/4	8ga x 1-3/4	5/8	3/4	6-5/16	14-1/2	9-1/4	7-1/16	1-7/8	4.65	400
10	5	3/8 x 1-3/4	3ga x 1-3/4	3/4	7/8	10-5/8	18-3/8	11-1/4	9-1/8	2-1/4	9.05	550

PROJECT INFORMATION	APPROVED
JOB:	NOTES:
ADDRESS:	
CONTRACTOR:	
ENGINEER:	
DATE:	
APPROVED _____ NOT APPROVED _____ APPROVED AS NOTED _____	