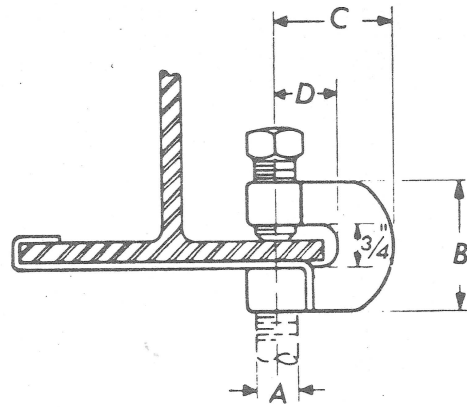
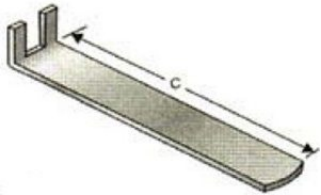


RAUCH

Phone: (718) 507-8844 Fax: (718) 565-6018
 Email: info@irauch.com
 Address: 32-20 112th St, East Elmhurst, NY 11369

FIGURE 22 RETAINING STRAP



CLAMP WITH RETAINING STRAP

FIG 22

STRAP SIZE	FIGURE 22 LENGTH C	B	WGTS. FOR LENGTHS			
			4 1/2	8	10	14
1	4 1/2, 8, 10, 14	1 1/4	22	37	45	62
2	4 1/2, 8, 10, 14	1 1/4	22	37	45	62
3	4 1/2, 8, 10, 14	1 1/4	22	37	45	62
4	4 1/2, 8, 10, 14	1 1/4	22	37	45	62
5	4 1/2, 8, 10, 14	2	35	59	74	99

PROJECT INFORMATION	APPROVED
JOB:	NOTES:
ADDRESS:	
CONTRACTOR:	
ENGINEER:	
DATE:	
APPROVED _____ NOT APPROVED _____ APPROVED AS NOTED _____	