

RAUCH

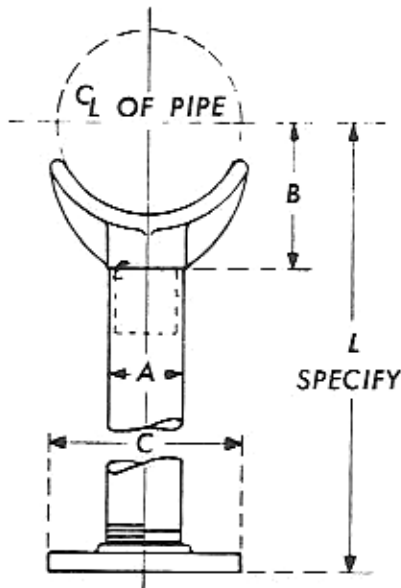
Phone: (718) 507-8844 Fax: (718) 565-6018
 Email: info@irauch.com
 Address: 32-20 112th St, East Elmhurst, NY 11369

Fig 245: Pipe Saddle Support



Material: Steel
Service Application: For general piping running close to the floor.
Finish: Black, galvanized or painted.
Ordering: Specify size, figure number, finish and dimension "L". Screwed floor flange and pipe, as shown, or welded base plate and pipe must be ordered separately.

FIG 245



PIPE SIZE	A	B	C	WT/C APROX
4	3	4 3/16	9	910
5	3	4 13/16	9	1075
6	3	5 7/16	9	1175
8	3	6 15/16	9	1430
10	3	8 7/16	9	1925
12	3	9 15/16	9	2310
14	4	10 15/16	11	4050
16	4	12 3/8	11	4530
18	4	13 7/8	11	5330
20	6	15 3/8	13 1/2	9730
22	6	16 5/8	13 1/2	10200
24	6	17 15/16	13 1/2	12000
26	6	19 1/4	13 1/2	12900
30	6	21 5/16	13 1/2	15600
36	8	24 1/2	16	24000

PROJECT INFORMATION	APPROVED
JOB:	NOTES:
ADDRESS:	
CONTRACTOR:	
ENGINEER:	
DATE:	
APPROVED _____ NOT APPROVED _____	APPROVED AS NOTED _____