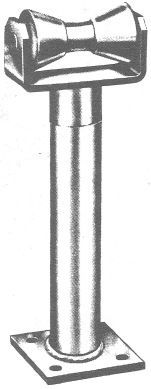


RAUCH

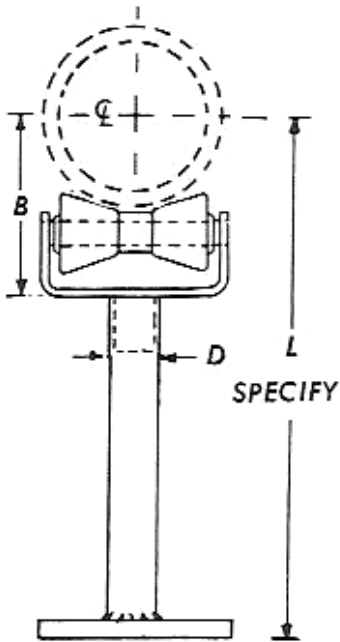
Phone: (718) 507-8844 Fax: (718) 565-6018
 Email: info@irauch.com
 Address: 32-20 112th St, East Elmhurst, NY 11369

Fig 246: Pipe Stanchion Roller Support



Material: Steel and Cast Iron
Service Application: For general piping running close to the floor.
Finish: Black, galvanized or painted.
Ordering: Specify size, figure number, finish and dimension "L".
 Welded base plate and pipe, as shown, or screwed flange and pipe must be ordered separately.

FIG 246



PIPE SIZE	B	D	WT/C APROX
2 1/2	3 9/16	1 1/2	824
3	3 15/16	1 1/2	824
3 1/2	4 3/16	1 1/2	824
4	4 9/16	2 1/2	1200
5	5 3/16	2 1/2	1200
6	5 3/4	2 1/2	1200
8	7 3/4	2 1/2	1900
10	8 7/8	2 1/2	1900
12	10 1/2	2 1/2	2830

PROJECT INFORMATION	APPROVED
JOB:	NOTES:
ADDRESS:	
CONTRACTOR:	
ENGINEER:	
DATE:	
APPROVED _____	NOT APPROVED _____ APPROVED AS NOTED _____