

## Fig 249: Adjustable Slide Pipe Stanchion



**Material:** Steel

**Service Application:** For general piping running close to the floor. Structure support is provided by heavy gauge sections of metal framing. This floor support offers a greater and easier adjustment than is available with screwed pipe components. Postive locking is assured with the internal use of high strength "Tite-Grip" lock nuts.

**Finish:** Black, galvanized or painted.

**Ordering:** Specify pipe size, figure number, finish and dimension "L".

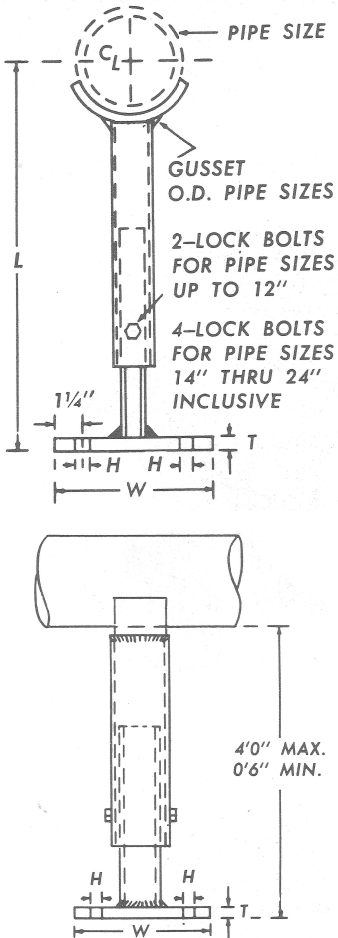


FIG 249

PIPE SIZE	L	W	T	H	MAX REC'M LOAD LB.
2 1/2	S P E C I F Y	8	1/4	9/16	3000
3		8	1/4	9/16	3000
3 1/2		8	1/4	9/16	3000
4		8	3/8	9/16	3000
5		8	3/8	9/16	3000
6		8	3/8	9/16	3000
8		10	1/2	11/16	3000
10		10	1/2	11/16	3000
12		10	1/2	11/16	3000
14		12	5/8	13/16	6000
16		12	5/8	13/16	6000
18		12	5/8	13/16	6000
20		14	3/4	15/16	6000
24		14	3/4	15/16	6000

PROJECT INFORMATION	APPROVED
JOB:	NOTES:
ADDRESS:	
CONTRACTOR:	
ENGINEER:	
DATE:	
APPROVED _____ NOT APPROVED _____ APPROVED AS NOTED _____	