

# RAUCH

Phone: (718) 507-8844 Fax: (718) 565-6018  
 Email: [info@irauch.com](mailto:info@irauch.com)  
 Address: 32-20 112th St, East Elmhurst, NY 11369

## Fig 251: Adjustable Base Elbow Support



**Material:** Steel  
**Service Application:** General piping.  
**Finish:** Black, galvanized or painted.  
**Ordering:** Specify size, figure number, finish, "A" dimension, load and mounting holes, if required.

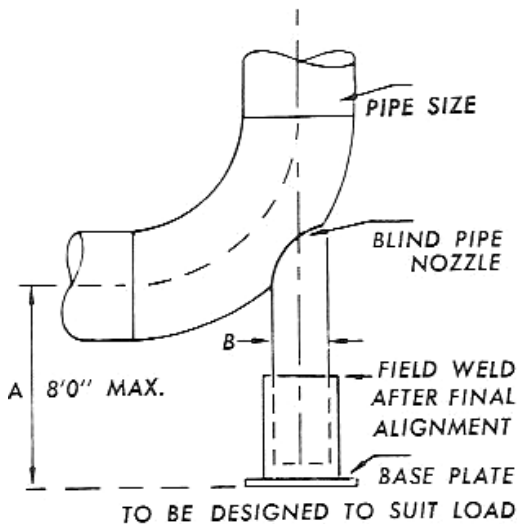


FIG 251

PIPE SIZE	A	B	MAX LOADING KIPS (1KIP=1000 lbs)
2 1/2 to 3 1/2	D V I S E	2 1/2	20
4 to 12		3	31
14 to 16		4	48
18 to 36		6	90

PROJECT INFORMATION	APPROVED
JOB:	NOTES:
ADDRESS:	
CONTRACTOR:	
ENGINEER:	
DATE:	
APPROVED _____ NOT APPROVED _____ APPROVED AS NOTED _____	