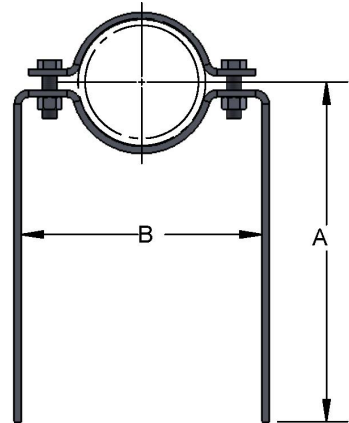


RAUCH

Phone: (718) 507-8844 Fax: (718) 565-6018
 Email: info@irauch.com
 Address: 32-20 112th St, East Elmhurst, NY 11369

Fig 267: Extended Pipe Clamp



Material: Steel
Service Application: General piping. Designed for direct welding of hanger to steel structure.
Finish: Black or galvanized.
Ordering: Specify pipe size, figure number and finish.

PIPE SIZE	PIPE OD	BOLT	A	B	WGT EACH (lbs)
3/4	1.050	3/8	12	4-7/16	1.85
1	1.315	3/8	12	4-11/16	2.34
1-1/4	1.660	3/8	12	5	2.40
1-1/2	1.900	3/8	12	5-1/4	2.45
2	2.375	1/2	12	6	3.13
2-1/2	2.875	1/2	12	7-1/4	4.20
3	3.500	1/2	12	7-7/8	4.47
3-1/2	4.000	1/2	12	8-3/8	4.74
4	4.500	1/2	12	9-1/4	4.90
5	5.563	1/2	12	10-1/2	5.32
6	6.625	5/8	12	12-1/2	11.15
8	8.625	5/8	12	14-5/8	12.65

PROJECT INFORMATION	APPROVED
JOB:	NOTES:
ADDRESS:	
CONTRACTOR:	
ENGINEER:	
DATE:	
APPROVED _____ NOT APPROVED _____	APPROVED AS NOTED _____