

# RAUCH

Phone: (718) 507-8844 Fax: (718) 565-6018  
 Email: [info@irauch.com](mailto:info@irauch.com)  
 Address: 32-20 112th St, East Elmhurst, NY 11369

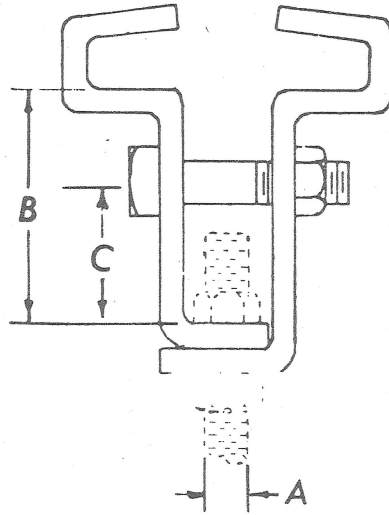
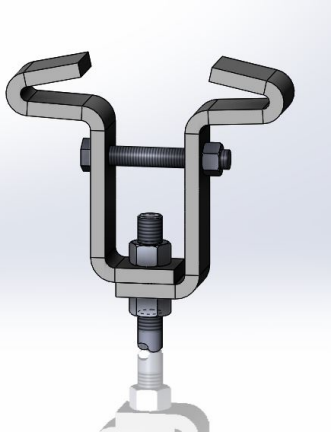


FIGURE 268 BEAM CLAMP

FIG 268

CLAMP SIZE	STEEL SIZE	A	B	C	MAX REC'M LOAD, LB.
1	1/4 x 1 1/4	3/8	4	3	550
2	1/4 x 1 1/2	1/2	4	3	850
3	3/8 x 1 1/2	5/8	4 1/2	3 1/4	1100
4	3/8 x 2	3/4	4 1/2	3 1/4	1500
5	1/2 x 2	7/8	5	3 1/2	2600
6	1/2 x 2 1/2	1	5	3 1/2	4300
7	5/8 x 3	1 1/8	5 1/2	3 1/2	6100
8	5/8 x 4	1 1/4	5 1/2	3 1/2	8000

PROJECT INFORMATION	APPROVED
JOB:	NOTES:
ADDRESS:	
CONTRACTOR:	
ENGINEER:	
DATE:	
APPROVED _____	NOT APPROVED _____ APPROVED AS NOTED _____