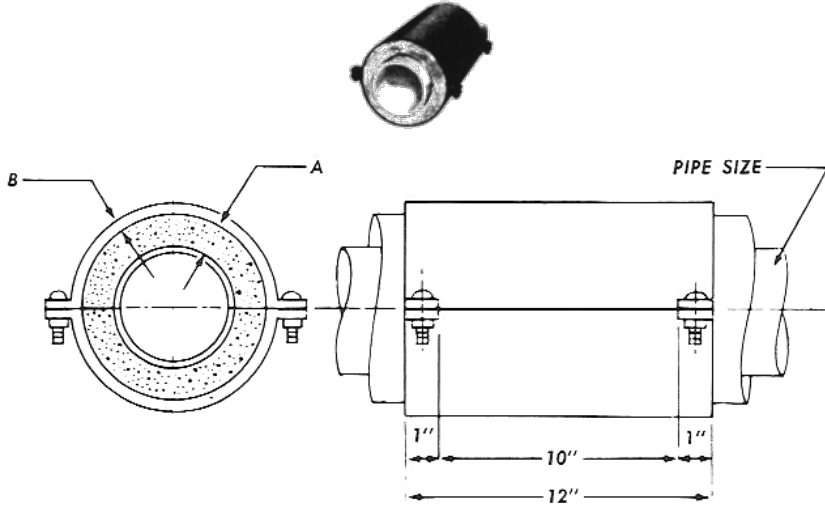


Fig 269: 360-Degree Pipe-Covering Protection Shield



Material: Steel and Cast Iron Roller
Service Application: For vapor-sealed lines.
Finish: Black, galvanized or painted.
Ordering: Specify size, figure number, insulation thickness and finish.

PIPE SIZE	A	B
¼ to 2½	A D V I S E	18GA
3 to 8		16GA
10 to 14		12GA
16 to 24		10GA

PROJECT INFORMATION	APPROVED
JOB:	NOTES:
ADDRESS:	
CONTRACTOR:	
ENGINEER:	
DATE:	
APPROVED _____ NOT APPROVED _____ APPROVED AS NOTED _____	