

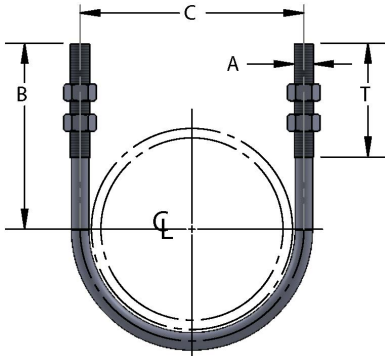
RAUCH

Phone: (718) 507-8844 Fax: (718) 565-6018
 Email: info@irauch.com
 Address: 32-20 112th St, East Elmhurst, NY 11369

Fig 283: Standard U-Bolt



Material: Steel
Service Application: General piping.
Finish: Black or galvanized
Ordering: Specify size, figure number and finish.



PIPE SIZE	PIPE OD	A	B	C	T	WGT EACH (lbs)	MAX REC LOAD (lbs)
1/2	0.840	1/4-20	2-3/4	1-3/16	2-3/8	0.10	485
3/4	1.050	1/4-20	2-3/4	1-3/8	2-3/8	0.10	485
1	1.315	1/4-20	2-3/4	1-5/8	2-3/8	0.10	485
1-1/4	1.660	3/8-16	2-7/8	2-1/16	2-3/8	0.26	1220
1-1/2	1.900	3/8-16	3	2-3/8	2-1/2	0.28	1220
2	2.375	3/8-16	3-1/4	2-13/16	2-1/2	0.32	1220
2-1/2	2.875	1/2-13	3-3/4	3-7/16	3	0.70	2260
3	3.500	1/2-13	4	4-1/16	3	0.76	2260
3-1/2	4.000	1/2-13	4-1/4	4-9/16	3	0.80	2260
4	4.500	1/2-13	4-1/2	5-1/16	3	0.86	2260
5	5.563	1/2-13	5	6-1/8	3	1.00	2260
6	6.625	5/8-11	6-1/8	7-3/8	3-3/4	1.98	3620
8	8.625	5/8-11	7-1/8	9-3/8	3-3/4	2.26	3620
10	10.750	3/4-10	8-3/8	11-5/8	4	3.94	5420
12	12.750	7/8-9	9-5/8	13-3/4	4-1/4	6.40	7540
14	14.000	7/8-9	10-1/4	15	4-3/4	8.30	7540
16	16.000	7/8-9	11-1/4	17	4-3/4	9.20	7540
18	18.000	1-8	12-5/8	19-1/8	4-3/4	13.50	9920
20	20.000	1-8	13-5/8	21-1/8	4-3/4	14.60	9920
24	24.000	1-8	15-5/8	25-1/8	4-3/4	16.90	9920
30	30.000	1-8	18-5/8	31-1/8	4-3/4	22.00	9920

PROJECT INFORMATION	APPROVED
JOB:	NOTES:
ADDRESS:	
CONTRACTOR:	
ENGINEER:	
DATE:	
APPROVED _____	NOT APPROVED _____ APPROVED AS NOTED _____