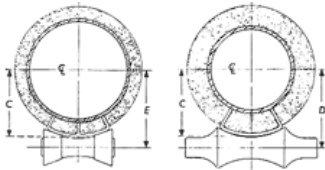
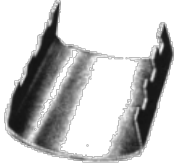


Fig 356: 4-Inch Pipe-Covering Protection Saddle

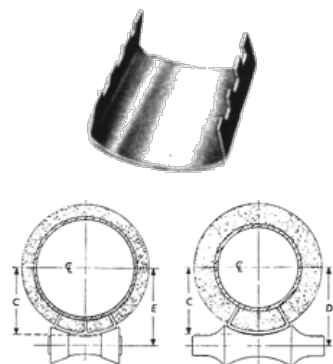


Material: Steel
Service Application: Designed for high-temperature service where heat losses are to be kept at a minimum and to protect insulation against damage.
Finish: Black, galvanized or painted.
Ordering: Specify size, figure number and finish.

PIPE SIZE	FIG. NO.	ACTUAL THICKNESS OF COVERING	HANGER ROLLER SIZE			CENTER LINE OF PIPE TO OUTSIDE OF SADDLE, C	CENTER LINE OF PIPE TO CENTER LINE OF ROLL		WGT./C APPROX.	MAX. REC. LOAD, LB. •
			FIG. 142	FIG. 140	FIGS. 39-41		D	E		
¾	351	7/8	2	2½	2- 3½	1½	1½	2½	114	1200
¾	352	1½	3	3½	2- 3½	2½	2½	3¼	188	1200
¾	353	2½	4	5	2- 3½	2¾	3¾	3½	275	1200
1	351	1½	2½	3	2- 3½	1¾	2¼	2¾	140	1200
1	352	1½	3	4	2- 3½	2½	2½	3	209	1200
1	353	2½	4	5	2- 3½	2½	3½	3½	275	1200
1¼	351	7/8	2½	3	2- 3½	1¾	2½	2¾	140	1200
1¼	352	1¾	3½	5	2- 3½	2¾	3¾	3¾	209	1200
1¼	353	2½	5	5	2- 3½	3¾	3¾	3¾	275	1200
1½	351	1	3	3½	2- 3½	2½	2½	2¾	153	1200
1½	352	1½	3½	5	2- 3½	2½	3¼	3¾	209	1200
1½	353	2¾	5	6	2- 3½	3¾	4½	4½	452	1800
1½	354	2¾	7	7	4- 6	3¾	4½	4½	578	1800
2	351	1½	3½	4	2- 3½	2¾	3	3¾	173	1200
2	352	1¾	4	5	2- 3½	2¾	3½	3¾	233	1200
2	353	2¾	5	6	4- 6	3¾	4¾	4¾	452	1800
2	354	2¾	7	7	4- 6	3¾	4¾	4¾	602	1800
2	355	3½	8	8	4- 6	4½	5½	5¾	675	1800
2½	351	1½	3½	5	2- 3½	2½	3¼	3¾	173	1200
2½	352	1¾	5	6	2- 3½	3¼	4½	4¾	260	1200
2½	353	2¾	6	7	4- 6	3¾	4¾	4¾	452	1800
2½	354	2¾	7	7	4- 6	4½	5¼	5¾	602	1800
2½	355	3¾	8	10	4- 6	4½	5¾	5¾	675	1800
3	351	1	4	5	2- 3½	2½	3½	3¾	198	1200
3	352	1¾	5	6	2- 3½	3½	4¾	4¾	383	1800
3	353	2¾	7	7	4- 6	4¾	4¾	4¾	530	1800
3	354	2¾	8	8	4- 6	4½	5¾	5¼	578	1800
3	355	3¾	10	10	7-10	5	5¾	6	723	1800
3½	351	1¼	5	6	4- 6	3¾	4	4	214	1200
3½	352	1¾	7	7	4- 6	4	4½	4¾	410	1800
3½	353	2¼	8	8	4- 6	4¾	5¾	5¾	530	1800
3½	354	2¾	8	10	7-10	4½	5¾	5¾	641	1800
3½	355	3¾	10	10	7-10	5½	6¾	6¾	723	1800

•With minimum safety factor of 5.

PROJECT INFORMATION	APPROVED
JOB:	NOTES:
ADDRESS:	
CONTRACTOR:	
ENGINEER:	
DATE:	
APPROVED _____	NOT APPROVED _____ APPROVED AS NOTED _____



PIPE SIZE	FIG. NO.	ACTUAL THICKNESS OF COVERING	HANGER ROLLER SIZE			CENTER LINE OF PIPE TO OUTSIDE OF SADDLE, C	CENTER LINE OF PIPE TO CENTER LINE OF ROLL		WGT. C APPROX.	MAX. REC. LOAD, LB.*
			FIG 142	FIG 140	FIGS 39-41		D	E		
4	351	1 1/16	5	6	4-6	3 1/16	4 1/16	4 1/8	339	1800
4	352	1 1/16	7	7	4-6	3 7/16	4 1/16	4 3/16	450	1800
4	353	2 1/16	8	8	4-6	4 1/16	5 1/2	5 3/8	530	1800
4	354	2 3/16	8	10	7-10	5 3/8	6 3/16	6 1/8	641	1800
4	355	3 1/16	10	10	7-10	5 7/16	6 1/2	6 3/16	723	1800
4	356	4 1/16	12	12	7-10	6 1/16	7 1/16	7 1/16	912	1800
5	351	1	7	7	4-6	4 1/8	4 1/16	4 3/4	339	1800
5	352	1 1/2	8	8	4-6	4 1/2	5 1/16	5 3/16	450	1800
5	353	2	8	10	7-10	4 1/16	5 7/8	5 1/16	576	1800
5	354	2 3/16	10	12	7-10	5 1/16	6 1/2	6 3/16	685	1800
5	355	3 1/16	10	12	7-10	6 1/8	7 1/16	7 1/8	723	1800
5	356	4 3/16	12	-	7-10	7 3/16	8 1/4	8 1/4	912	1800
6	351	1	8	8	4-6	4 3/16	5 3/8	5 1/4	382	1800
6	352	1 1/2	8	10	7-10	5 1/16	5 7/8	5 3/4	450	1800
6	353	2	10	12	7-10	5 1/2	6 1/2	6 3/16	576	1800
6	354	2 1/2	10	12	7-10	6 1/16	7 1/16	7 1/8	685	1800
6	355	3	12	12	7-10	6 3/16	7 3/8	7 5/8	769	1800
6	356	4 1/8	14	-	12-15	7 3/8	9 1/8	8 3/8	1024	1800
8	352	1 1/2	10	12	7-10	6	7 1/8	7 1/16	582	1800
8	353	2	12	-	7-10	6 1/2	7 3/8	7 5/8	641	1800
8	354	2 1/16	12	-	7-10	7 1/4	8 3/16	8 3/16	721	1800
8	355	3 3/8	14	-	12-15	7 3/8	9 1/8	8 3/8	914	1800
8	356	4 1/8	16	-	12-15	8 1/16	10 1/8	9 1/16	1024	1800
10	352	1 3/16	12	-	12-15	7 1/4	8 3/16	8 3/16	666	5000
10	353	2 1/16	14	-	12-15	7 3/8	9 1/16	8 3/16	857	5000
10	354	2 3/16	14	-	12-15	8 3/16	9 3/8	9 3/8	891	5000
10	355	3 3/16	16	-	16-20	8 7/8	10 1/4	10	1110	5000
10	356	4 1/16	18	-	16-20	9 1/16	11 1/16	11 1/8	1410	5000
12	352	1 1/2	14	-	12-15	8 1/16	9 3/8	9 7/16	761	5000
12	353	2 1/16	16	-	16-20	8 3/16	10 3/16	10	873	5000
12	354	2 3/8	16	-	16-20	9 1/8	10 1/16	10 1/2	969	5000
12	355	3 1/16	18	-	16-20	9 1/16	11 1/16	11 1/16	1138	5000
12	356	4 1/8	20	-	16-20	10 1/16	12 3/8	12 1/4	1420	5000
14	352	1 1/2	16	-	16-20	8 3/8	10 3/16	10 3/8	767	5000
14	353	2	16	-	16-20	9 1/4	10 3/4	10 3/16	943	5000
14	354	2 1/2	18	-	16-20	9 3/4	11 3/16	11 1/8	969	5000
14	355	3	18	-	16-20	10 1/4	11 7/8	11 5/8	1182	5000
14	356	4	20	-	22-24	11 1/16	13 1/8	12 3/4	1848	7200
16	352	1 1/2	18	-	16-20	9 3/8	11 3/8	11 1/4	835	5000
16	353	2	18	-	16-20	10 1/4	11 7/8	11 5/8	1000	5000
16	354	2 1/2	20	-	16-20	10 3/8	12 3/16	12 1/4	1462	7200
16	355	3	24	-	22-24	11 3/16	13 1/8	12 3/16	1817	7200
16	356	4	24	-	22-24	12 1/16	14 3/16	13 3/4	2180	7200
18	352	1 1/2	20	-	16-20	10 3/8	12 1/2	12 1/4	892	5000
18	353	2	20	-	22-24	11 1/2	13 3/16	12 1/16	1319	7200
18	354	2 1/2	24	-	22-24	12	13 1/16	13 3/16	1689	7200
18	355	3	24	-	22-24	12 3/16	14 1/4	13 1/16	1820	7200
18	356	4	24	-	22-24	13 1/2	15 1/16	14 3/8	2195	7200
20	352	1 1/2	24	-	22-24	11 3/4	13 1/16	13 3/8	1376	7200
20	353	2	24	-	22-24	12 3/16	14 1/4	13 1/16	1498	7200
20	354	2 1/2	24	-	22-24	12 7/8	14 1/16	14 3/16	1679	7200
20	355	3	24	-	26-30	13 1/2	15 1/2	15 1/8	1840	7200
20	356	4	30	-	26-30	14 3/16	16 3/8	16	2283	7200
24	352	1 1/2	30	-	26-30	13 3/8	16 1/16	15 3/8	1605	7200
24	353	2	30	-	26-30	14 3/16	16 3/8	16	1762	7200
24	354	2 1/2	30	-	26-30	14 3/4	17 3/16	16 1/2	1875	7200
24	355	3	30	-	26-30	15 3/8	17 1/16	17 1/8	1972	7200
24	356	4	30	-	26-30	16 3/16	19	18 1/4	2314	7200

*With minimum safety factor of 5.