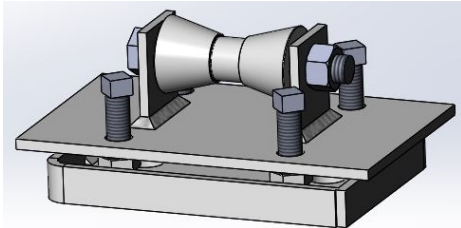


Fig 40: Adjustable Steel Chair and Roll



Material: Cast Iron Roller with Steel Frame
Service Application: Designed for use on lines subject to Longitudinal Movement.
Finish: Black, galvanized or painted.
Ordering: Specify size, figure number and finish.

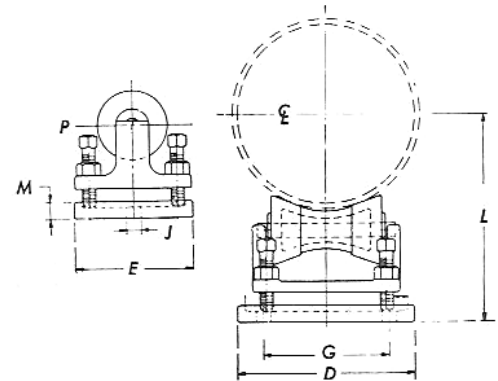


FIG 40

PIPE SIZE	L MIN	L MAX	D	E	G	J	M	P	WT/C APROX	REC'M LOAD LB.
2	4 3/16	5 1/16	6 7/8	5 1/2	3 7/8	1	1	5/8	1015	390
2 1/2	4 7/16	5 5/16	6 7/8	5 1/2	3 7/8	1	1	5/8	1015	390
3	4 13/16	5 13/16	6 7/8	5 1/2	3 7/8	1	1	5/8	1015	390
3 1/2	5 1/16	5 15/16	6 7/8	5 1/2	3 7/8	1	1	5/8	1015	390
4	5 13/16	6 15/16	8 1/8	5 3/4	5 1/8	1	1	5/8	1158	950
5	6 7/16	7 5/16	8 1/8	5 3/4	5 1/8	1	1	5/8	1158	950
6	7	8 1/8	8 1/8	5 3/4	5 1/8	1	1	5/8	1158	950
8	9 13/16	11 9/16	10 5/8	6 3/4	7 3/8	1	1 1/8	3/4	2385	2100
10	10 15/16	12 11/16	10 5/8	6 3/4	7 3/8	1	1 1/8	3/4	2385	2100
12	12 3/8	14 1/8	13	8	9 1/2	1	1 1/8	7/8	4287	3075
14	13	14 3/4	13	8	9 1/2	1	1 1/8	7/8	4287	3075
16	14 1/2	16 3/8	14 5/8	8 5/8	11 1/8	1	1 1/4	1	5614	4980
18	15 5/8	17 1/2	14 5/8	8 5/8	11 1/8	1	1 1/4	1	5614	4980
20	16 5/8	18 1/2	14 5/8	8 5/8	11 1/8	1	1 1/4	1	5614	4980
24	18 3/4	20 5/8	15 3/4	8 5/8	12 1/4	1	1 3/8	1	7620	6100
30	23 1/16	26 5/16	19 1/4	10 1/2	15 3/4	1	1 5/8	1 1/4	12100	7500

PROJECT INFORMATION	APPROVED
JOB:	NOTES:
ADDRESS:	
CONTRACTOR:	
ENGINEER:	
DATE:	
APPROVED _____ NOT APPROVED _____ APPROVED AS NOTED _____	