

RAUCH

Phone: (718) 507-8844 Fax: (718) 565-6018
 Email: info@irauch.com
 Address: 32-20 112th St, East Elmhurst, NY 11369

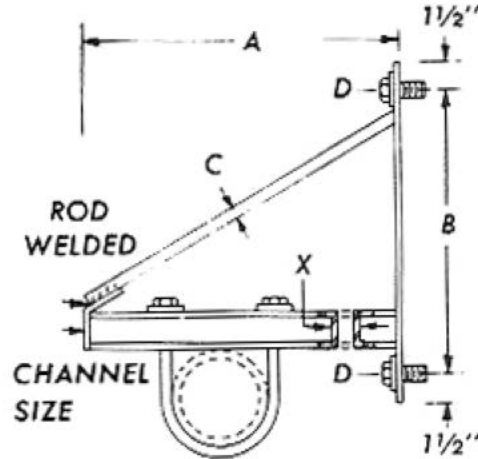
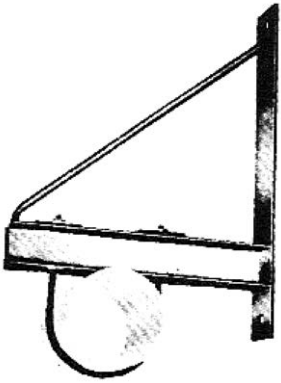


FIG 48

BRACKET SIZE	A	B	C	D	X	CHANNEL SIZE	BACK PLATE	WT/C APROX.	MAX REC. LOAD, LB
1	14	12	5/8	11/16	1	2] [2.57	3 x 1/4	1214	750
2	20	18	5/8	11/16	1	2] [2.57	3 x 1/4	1600	750
3	14	12	3/4	11/16	1 1/4	3] [4.1	4 x 3/8	1869	1200
4	20	18	3/4	11/16	1 1/4	3] [4.1	4 x 3/8	2640	1200

Recommended for the suspension of medium loads where maximum lateral adjustment is desired
 Available in Black, galvanized or painted

PROJECT INFORMATION	APPROVED
JOB:	NOTES:
ADDRESS:	
CONTRACTOR:	
ENGINEER:	
DATE:	
APPROVED _____	NOT APPROVED _____ APPROVED AS NOTED _____