

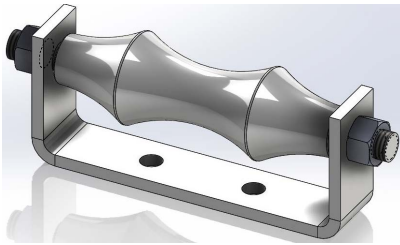
RAUCH

Phone: (718) 507-8844 Fax: (718) 565-6018

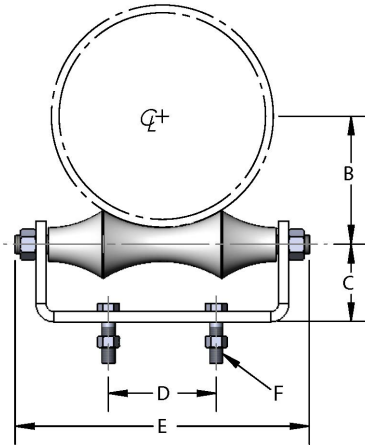
Email: info@irauch.com

Address: 32-20 112th St, East Elmhurst, NY 11369

Fig 54: Roller Chair



Material: Steel and Cast Iron
Service Application: Designed for use on lines subject to Longitudinal Movement.
Finish: Black, galvanized or painted.
Ordering: Specify size, figure number and finish.



HANGER SIZE	AXLE SIZE	B	C	D	E	F	WGT EACH (lbs)	MAX REC LOAD (lbs)
2	3/8	1-9/16	1-3/8	1-1/4	4-1/4	3/8	0.94	390
2-1/2	1/2	1-7/8	1-5/8	1-1/4	4-7/8	3/8	1.18	390
3	1/2	2-1/8	1-3/4	2	5-11/32	3/8	1.32	390
3-1/2	1/2	2-1/2	2	2	6-11/32	3/8	2.58	390
4	1/2	2-13/16	2-5/16	2	7-11/32	1/2	2.94	950
5	5/8	3-3/8	2-1/2	3	8-1/4	1/2	3.64	950
6	3/4	3-15/16	2-3/4	3-1/8	9-1/2	1/2	5.72	950
7	3/4	4-1/2	2-13/16	3-3/8	10	1/2	6.98	1350
8	7/8	5-1/8	3	3-3/8	12-1/4	5/8	8.16	1350
10	7/8	6-3/8	3-5/8	5-1/4	14-1/2	5/8	11.96	1730
12	7/8	7-1/2	4-1/8	5-1/2	16-1/4	5/8	15.86	2400
14	1-1/8	8-3/8	4-11/16	6-1/2	18	3/4	21.58	3130
16	1-1/4	9-3/8	5-3/8	8-1/4	21	3/4	34.50	3970
18	1-1/4	10-7/16	6	9-1/4	22-7/8	3/4	36.50	4200
20	1-1/4	11-5/8	6-1/2	10-1/4	25-1/4	3/4	45.00	4550
24	1-1/2	14	7-7/8	12-1/4	30	7/8	77.50	6160
30	1-3/4	17-15/16	8-3/4	15-3/8	34-13/16	7/8	110.00	7290

PROJECT INFORMATION	APPROVED
JOB:	NOTES:
ADDRESS:	
CONTRACTOR:	
ENGINEER:	
DATE:	
APPROVED _____ NOT APPROVED _____ APPROVED AS NOTED _____	