

RAUCH

Phone: (718) 507-8844 Fax: (718) 565-6018
 Email: info@irauch.com
 Address: 32-20 112th St, East Elmhurst, NY 11369

FIGURE 69 LIGHT WELDED STEEL BRACKET

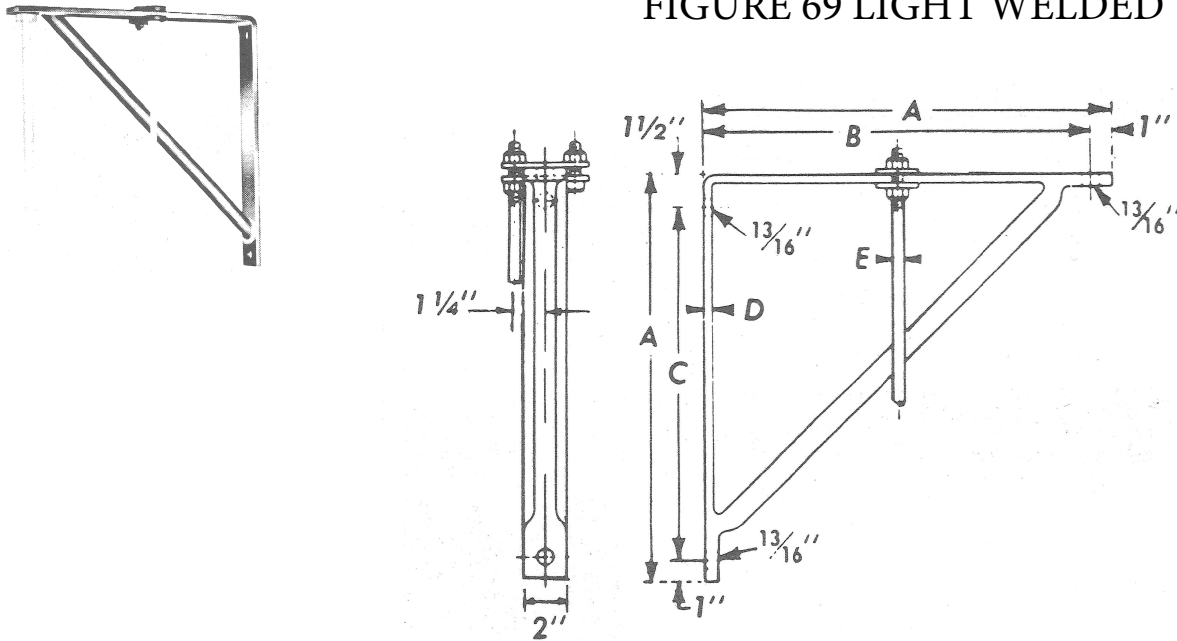


FIG 69

BRACKET SIZE	A	B	C	D	WT/C APROX.	MAX REC.
1	9	8	6 1/2	5/16	431	750
2	13	12	10 1/2	5/16	920	750
3	19	18	16 1/2	3/8	1670	750

CLIP SIZE	PIPE SIZE	ROD SIZE E	WT/C APROX
1	3/4 TO 2	3/8	80
2	2 1/2 TO 3 1/2	1/2	124

PROJECT INFORMATION	APPROVED
JOB:	NOTES:
ADDRESS:	
CONTRACTOR:	
ENGINEER:	
DATE:	
APPROVED _____	NOT APPROVED _____ APPROVED AS NOTED _____