

# RAUCH

Phone: (718) 507-8844 Fax: (718) 565-6018  
 Email: [info@irauch.com](mailto:info@irauch.com)  
 Address: 32-20 112th St, East Elmhurst, NY 11369

**Fig 71: Roller Support**



**Material:** Steel and Cast Iron Roller  
**Service Application:** Designed for use on lines subject to Longitudinal Movement.  
**Finish:** Black, galvanized or painted.  
**Ordering:** Specify pipe size, figure number and finish.

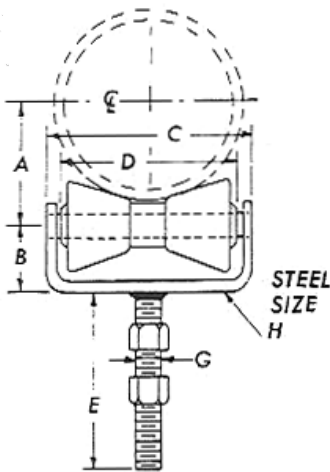


FIG 71

SIZE	HGR. SIZE	A	B	C	D	E	G	STEEL SIZE "H"	WT/C APROX	REC'M LOAD LB.
1A	2	1 13/16	1 7/16	3 1/4	2 11/16	5	5/8	3/16 x 1 1/2	233	390
	2 1/2	2 1/16	1 7/16	3 1/4	2 11/16	5	5/8	3/16 x 1 1/2	233	390
	3	2 7/16	1 7/16	3 1/4	2 11/16	5	5/8	3/16 x 1 1/2	233	390
	3 1/2	2 11/16	1 7/16	3 1/4	2 11/16	5	5/8	3/16 x 1 1/2	233	390
1	4	2 13/16	1 1/2	4 3/8	3 3/4	6	3/4	1/4 x 2	368	600
	5	3 7/16	1 1/2	4 3/8	3 3/4	6	3/4	1/4 x 2	368	600
	6	4	1 1/2	4 3/8	3 3/4	6	3/4	1/4 x 2	368	600
2	8	5 1/4	2 1/4	5 7/8	6	6	7/8	3/8 x 2	919	800
	10	6 3/8	2 1/4	6 7/8	6	6	7/8	3/8 x 2	19	800
3	12	7 1/2	2 3/4	9 1/8	8	7	1	1/2 x 2	1660	1300
	14	8 1/8	2 3/4	9 1/8	8	7	1	1/2 x 2	1660	1300
4	16	9 1/2	3	10 1/8	9 1/8	8	1 1/8	1/2 x 2	2550	2300

PROJECT INFORMATION	APPROVED
JOB:	NOTES:
ADDRESS:	
CONTRACTOR:	
ENGINEER:	
DATE:	
APPROVED _____ NOT APPROVED _____ APPROVED AS NOTED _____	