

RAUCH

Phone: (718) 507-8844 Fax: (718) 565-6018
 Email: info@irauch.com
 Address: 32-20 112th St, East Elmhurst, NY 11369

Fig 81CT: Copper Coated Split Ring Hanger



Material: Malleable Iron
Service Application: General piping.
Finish: Malleable iron copper plated.
Ordering: Specify nominal tubing size and figure number.

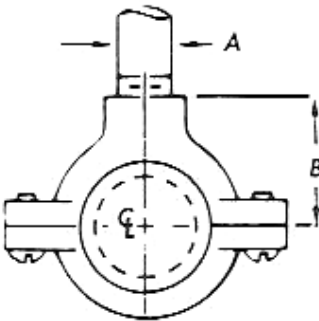


FIG 81 CT

NOMINAL TUBE SIZE	TAPPED FOR ROD SIZE A	B	WT/C APROX	MAX REC'M LOAD LB.
1/2	3/8	5/8	10	180
3/4	3/8	3/4	12	180
1	3/8	7/8	14	180
1 1/4	3/8	1	18	180
1 1/2	3/8	1 1/8	22	180
2	3/8	1 1/4	24	180

PROJECT INFORMATION	APPROVED
JOB:	NOTES:
ADDRESS:	
CONTRACTOR:	
ENGINEER:	
DATE:	
APPROVED _____ NOT APPROVED _____ APPROVED AS NOTED _____	