

RAUCH

Phone: (718) 507-8844 Fax: (718) 565-6018
 Email: info@irauch.com
 Address: 32-20 112th St, East Elmhurst, NY 11369

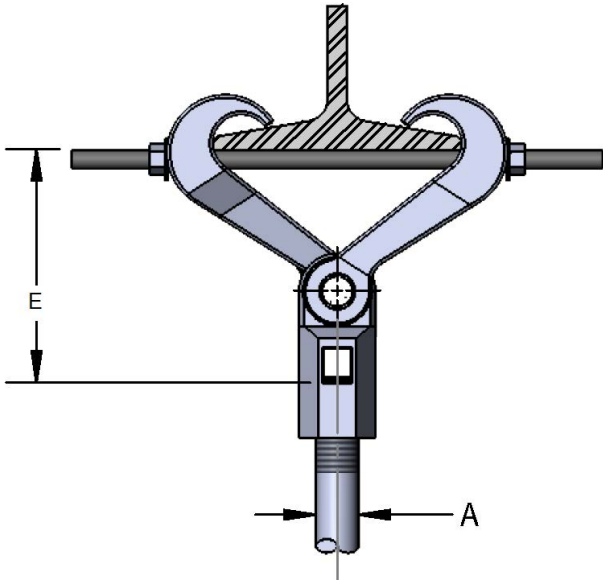


FIGURE 82 MALLEABLE BEAM CLAMP WITH EXTENSION

SIZE A	E ROD TAKE OUT FOR WIDTH OF BEAM FLANGE						BOLT DIA	WGT EACH (lbs)	MAX REC LOAD (lbs)
	2-3/8	3	4	5	6	7			
3/8-16	4-3/4	4-11/16	4-9/16	4-3/16	3-13/16	3-1/8	7/16	2.42	610
1/2-13	4-7/8	4-13/16	4-11/16	4-5/16	3-15/16	3-1/4	7/16	2.63	1130
5/8-11	4-15/16	4-7/8	4-3/4	4-3/8	4	3-5/16	7/16	2.67	1365
3/4-10	5-3/16	5--1/8	5	4-5/8	4-1/4	3-9/16	7/16	2.87	1365
7/8-9	5-1/4	53/16	5-1/16	4-11/16	4-5/16	3-5/8	7/16	3.01	1365

PROJECT INFORMATION	APPROVED
JOB:	NOTES:
ADDRESS:	
CONTRACTOR:	
ENGINEER:	
DATE:	
APPROVED _____ NOT APPROVED _____ APPROVED AS NOTED _____	