

RAUCH

Phone: (718) 507-8844 Fax: (718) 565-6018
 Email: info@irauch.com
 Address: 32-20 112th St, East Elmhurst, NY 11369

FIGURE 83 CANTILEVER BRACKET

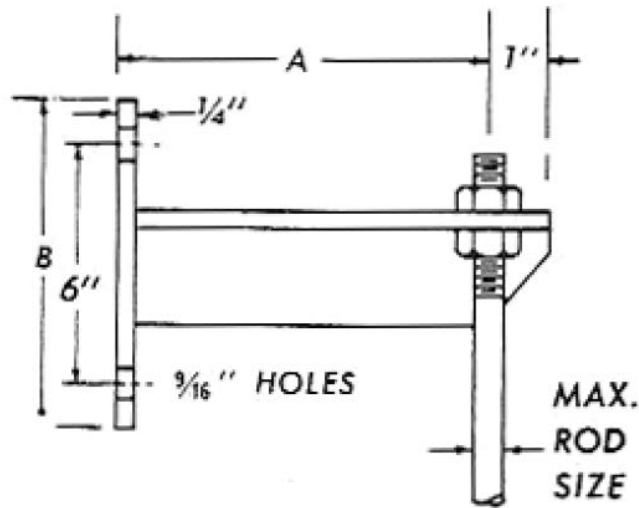
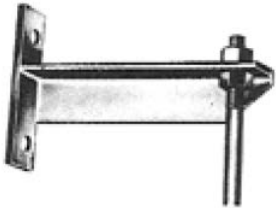


FIG 83

SIZE	A	B	MAX ROD SIZE	ANGLE SIZE	WT/C APROX.	MAX REC. LOAD, LB
1	4	8	1/2	2 x 2 x 1/4	270	610
2	6	8	1/2	2 1/2 x 2 x 1/4	320	610
3	9	8	1/2	3 x 3 x 1/4	440	610

Recommended for light to medium loads where hanger rod can be suspended at a fixed distance from wall or supporting structure
 Available in Black, galvanized or painted

PROJECT INFORMATION	APPROVED
JOB:	NOTES:
ADDRESS:	
CONTRACTOR:	
ENGINEER:	
DATE:	
APPROVED _____ NOT APPROVED _____ APPROVED AS NOTED _____	